

01 Aluminium - Beam TITAN 160

with 2 holes Ø 17 mm each end

standard lengths	m	2,75	3,20	3,65	4,30	4,90	5,50	6,40	8,00	11,90
weight	kg	15	18	20	24	27	31	36	44	63
art.no.	062040..	/..20	/..21	/..22	/..23	/..24	/..25	/..26	/..28	/..31
packing: bundle = 30 pcs.										

extra charge for drilling 2 holes into each end of the beam



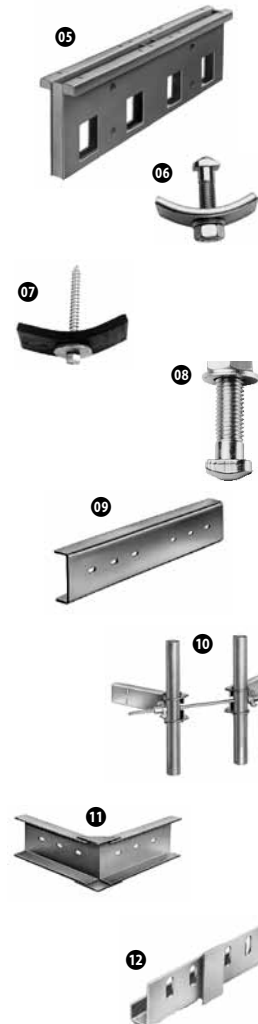
02 Aluminium Strongback TITAN 220

consisting of 2 U-profiles, bolted to each other with 2 spacers per linear meter

standard lengths	m	1,30	2,75	11,90
weight	kg	19,5	41,0	178,5
art.no.	032043..	/..01	/..02	/..12

03 Aluminium Strongback Profile 220 (single channel) 7,5 kg/m

04 Aluminium Strongback, assembly charges



05 Splicer for Beam TITAN 220, 800 mm long, galvanized

perm. bending moment 15 kNm, also extends length of strongback by 400 mm, 12 T-bolts **M 12 x 48 mm**, galv. art.no. 03204503 required)

art.no. 01204501..... 17,0 kg

06 Spring clip with T-bolt metric **M 12 x 48 mm** galv. and hex. nut

art.no. 03204503..... 0,2 kg

07 Spring clip with wood lagging screw **8 x 80 mm**, **Torx T 40 drive**, hex. head 12 mm

art.no. 06204513..... 0,2 kg

08 T-bolt metric **M 12 x 35 mm** galv., with hex. nut and washer,

pack. unit 100 pcs.,

art.no. 06204505..... 0,1 kg

09 Coupling 800 mm, for TITAN 160 beams, galvanized,

perm. bending moment 2 kNm,

(4 T-bolts art.no. 06204505 required)

art.no. 01204508..... 13,0 kg

10 Outer Corner assembly, galvanized,

incl. tie bar Ø 15 x 1000 mm and 2 wing nuts,

(one corner per m in height required), (4 T-bolts art.no. 06204505 required)

art.no. 01204510..... 18,0 kg

11 Inner Corner, fixed right angle, 330 x 330 mm, hot dip galvanized,

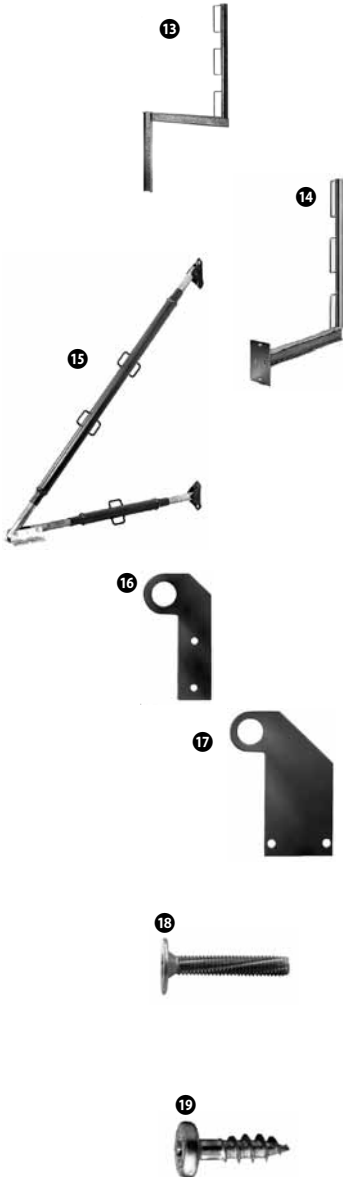
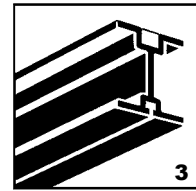
(4 T-bolts art.no. 06204505 required)

art.no. 01204515..... 10,0 kg

12 Face Form Fixing, hot-dip galvanized,

(2 T-bolts art.no. 06204505 required)

art.no. 01204517..... 1,2 kg



13 Walkway Bracket, 800 mm wide to DIN 4420
incl. guardrail post, for horizontal **TITAN 160, galvanized**,
(4 spring clips art.no 03204503 required), packing unit 30 pcs./pallet
art.no. 01204525..... 14,0 kg

14 Walkway Bracket, 800 mm wide to DIN 4420 incl. guardrail post, for vertical TITAN 160 or TITAN 220, perm. spacing 2 m, (2 T-bolts art.no. 06204505 required), galvanized, packing unit 30 pcs./pallet
art.no. 01204526..... 11,5 kg

15 Double Push Pull Prop, adjustable, 1,80 - 3,20 m (RSK 3), adjustable 0,90 - 1,50 (RSK 1), jacks galvanized, with double RSK adaptor and pin handle, (4 spring clips and 2 spare swivel shoes with pin handle required)
art.no. 01204530..... 27,0 kg

16 Lifting Eye for TITAN 160, hot-dip galv., SWL 15 kN, (2 bolts/nuts M 16 x 30 mm required),
art.no. 01204540..... 1,9 kg

17 Lifting Eye for TITAN 220, hot-dip galv., SWL 15 kN, (2 bolts/nuts M 16 x 80 mm required)
art.no. 01204542..... 3,4 kg

18 Thread Forming Screw, M 6 x 35 mm, with large 15 mm head, Torx TX 30, to fix plywood 21 mm to the aluminium profiles, predrilling 5 mm required, galv., packing unit 1000 pcs.,
art.no. 06204557.....

19 Self-Cutting Wood Screw Ø 7 x 23 mm, with large 15 mm head, Torx TX 30, for fixing plywood invisible from the back, galvanized
packing unit 1000 pcs.,
art.no. 06204558.....