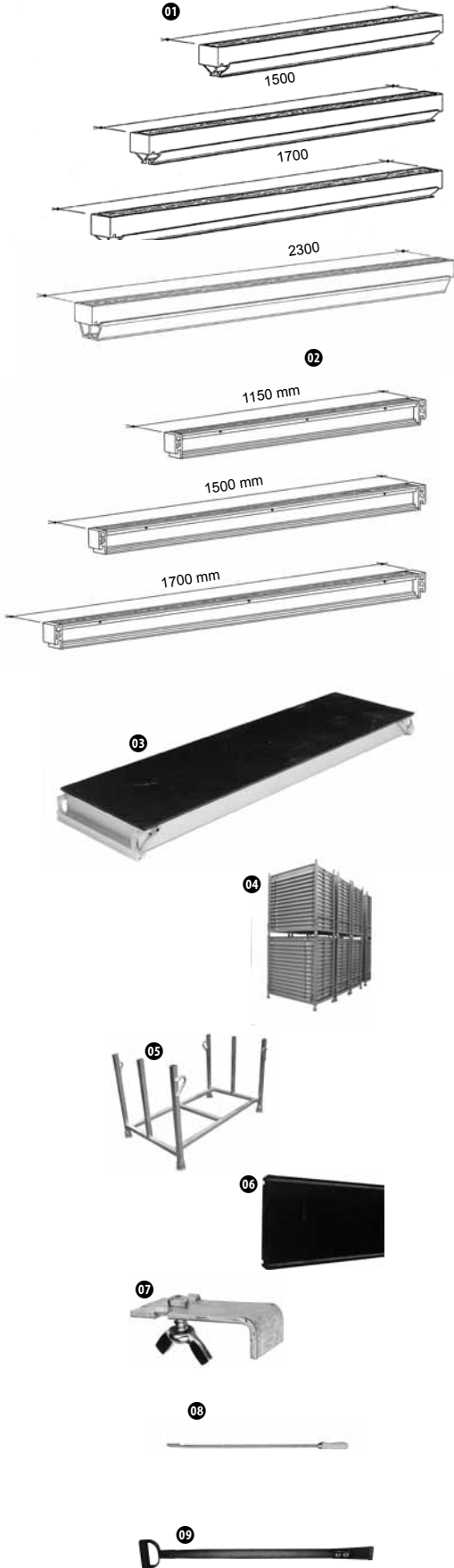


TITAN HV Slab Forming System with drop head and aluminium beams



① TITAN MAIN BEAM

actual length	1,15 m	1,50 m	1,70 m	3,50 m	2,30* m
center / center dimension of props	1,25 m	1,60 m	1,80 m	3,60 m	2,40 m
weight	8,5 kg	11,2 kg	12,7 kg	28,4 kg	18,0 kg
packing unit	bundle = 57	bundle = 77	bundle = 77	90 pcs.	bundle = 20
art.no. 012049..	/..04	/..06	/..08	/..11	02204910

* TITAN main beam 2,30 m permitted for 250 mm slab thickness

② TITAN SECONDARY BEAM

actual length	1,15 m	1,50 m	1,70 m
center / center dimension of props	1,25 m	1,60 m	1,80 m
weight	3,7 kg	5,0 kg	5,3 kg
packing unit	bundle = 50	bundle = 50	bundle = 50
art.no. 012049..	/..15	/..18	/..21

③ TITAN HV Panel

aluminium frame with durable, high-reuse IFLON-GRP plate 10 mm,
1,70 x 0,45 m = 0,77 m² forming area,
art.no. 01204951 16,50 kg

④ HV Panel Storage Rack, for 30 panels,

foldable, hot-dip galvanized,
1,85 x 1,00 m,
height 1,95 m (flat pack to 0,48 m)
art.no. 01204952 134,00 kg

⑤ HV Panel Storage Rack, for 14 panels, hot-dip galvanized,

can be crane handled, castors can be attached, 1,78 x 1,07 m, height 1,07 m
art.no. 01204953 45,80 kg

⑥ HV Filler Strip 170 x 21 x 900 mm, packing unit 160 pcs. / wire-mesh pallet,

art.no. 06204953 3,80 kg

⑦ Wall Spacer for Combi Panel TITAN HV, galvanized

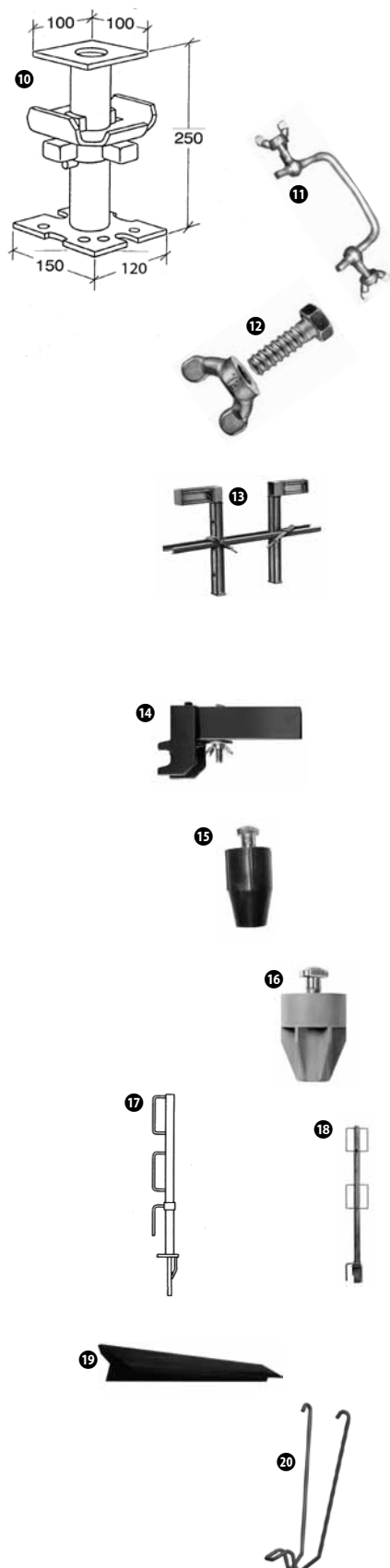
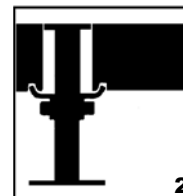
art.no. 01204954 0,60 kg

⑧ Carbide-Cleaning Scraper

to clean the groove of the main beam, 600 mm long
art.no. 06204922 0,60 kg

⑨ TITAN HV Concrete Scraper with Carbide Blade,

54 mm wide for cleaning the HV combi panels
art.no. 06204920 1,56 kg



10 TITAN HV Drop Head, 250 mm height, **hot-galvanized**,
pack. unit 210 pcs. per pallet
art.no. 01204930..... 4,70 kg

11 Fixing Bracket HV to fix the drop head (1 pc. required),
suitable for TITAN HV Lite Prop, TITAN Props (Steel Post Shores)
and TITAN Megashore (jack plate only)
art.no. 06204990..... 0,46 kg

12 "FIX 35" Speed Thread Hex. Bolt with wing nut, 35 mm,
for fixing the drop head to the prop, (2 pcs. required)
art.no. 06204939.....0,10 kg

13 TITAN-U HV Beam Clamp,
for beams max. 800 mm high, 830 mm wide,
hot-galvanized, (pallet = 30 pcs.)
TITAN-U HV, 350 mm long
art.no. 01204935.....19,00 kg

Additional parts

14 TITAN HV Safety Catch, galvanized
art.no. 01204955.....1,54 kg

15 TITAN 38 Post-Shore Positioner for fixing props **no. 2 + no. 3**,
packing unit 100 pcs. in a sack,
art.no. 06204958.....0,10 kg

16 TITAN 50 Post-Shore Positioner
for Megashore legs, steel props **no. 4 + no. 7 + HV lite prop**, packing unit 100 pcs.
art.no. 06204959.....0,10 kg

17 TITAN HV Guard Rail Post, fits into the main beam, **galv.**, 80 pcs./rack
art.no. 01204960..... 8,30 kg

18 TITAN HV Corner Guard Rail Post, 40 pcs./rack
art.no. 01204961.....9,50 kg

19 Plastic T-Profile, 2,50 m long,
for covering gaps
art.no. 06204963.....0,45 kg

20 Wind Clip for HV panels, prevents lifting off and lateral shifting in the main beam
art.no. 062049510,02 kg